



Micro Commercial Components
 21201 Itasca Street Chatsworth
 CA 91311
 Phone: (818) 701-4933
 Fax: (818) 701-4939

FR301GP THRU FR307GP

Features

- Low Cost
- Low Leakage
- Low Forward Voltage Drop
- High Current Capability
- Fast Switching Speed For High Efficiency
- Glass Passivated Junction

Maximum Ratings

- Operating Temperature: -55°C to +150°C
- Storage Temperature: -55°C to +150°C

| MCC Catalog Number | Device Marking | Maximum Recurrent Peak Reverse Voltage | Maximum RMS Voltage | Maximum DC Blocking Voltage |
|--------------------|----------------|--|---------------------|-----------------------------|
| FR301GP | --- | 50V | 35V | 50V |
| FR302GP | --- | 100V | 70V | 100V |
| FR303GP | --- | 200V | 40V | 200V |
| FR304GP | --- | 400V | 280V | 400V |
| FR305GP | --- | 600V | 420V | 600V |
| FR306GP | --- | 800V | 560V | 800V |
| FR307GP | --- | 1000V | 700V | 1000V |

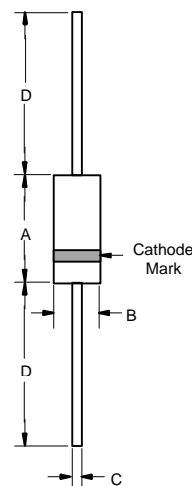
Electrical Characteristics @ 25°C Unless Otherwise Specified

| | | | |
|--|-------------|--------------------------------------|--|
| Average Forward Current | $I_{F(AV)}$ | 3 A | $T_A = 55^\circ\text{C}$ |
| Peak Forward Surge Current | I_{FSM} | 150A | 8.3ms, half sine |
| Maximum Instantaneous Forward Voltage | V_F | 1.3V | $I_{FM} = 3.0\text{A};$ $T_A = 25^\circ\text{C}$ |
| Maximum DC Reverse Current At Rated DC Blocking Voltage | I_R | 5 μA 100 μA | $T_A = 25^\circ\text{C}$ $T_A = 55^\circ\text{C}$ |
| Maximum Reverse Recovery Time FR301GP-304GP FR305GP FR306GP-307GP | T_{rr} | 150ns 250ns 500ns | $I_F=0.5\text{A}, I_R=1.0\text{A},$ $I_{rr}=0.25\text{A}$ |
| Typical Junction Capacitance | C_J | 50pF | Measured at 1.0MHz, $V_R=4.0\text{V}$ |

*Pulse Test: Pulse Width 300 μsec , Duty Cycle 1%

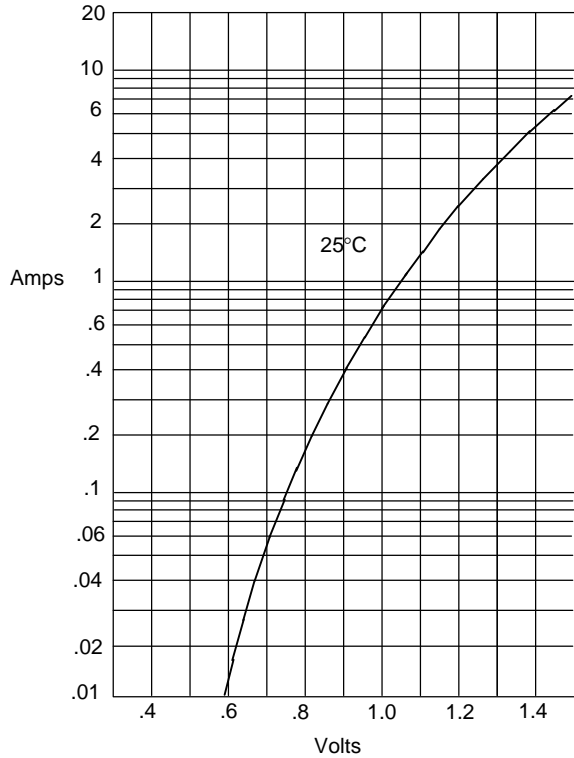
3 Amp Fast Recovery Rectifier 50 to 1000 Volts

DO-201AD



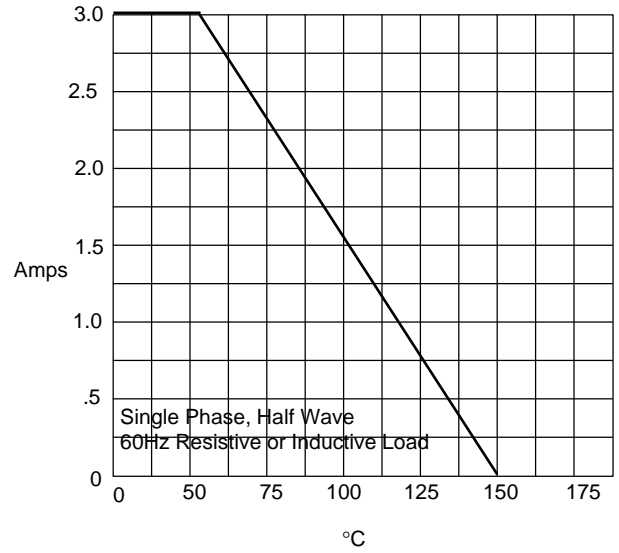
| DIM | INCHES | | MM | | NOTE |
|-----|--------|------|-------|------|------|
| | MIN | MAX | MIN | MAX | |
| A | --- | .370 | --- | 9.50 | |
| B | --- | .250 | --- | 6.40 | |
| C | .048 | .052 | 1.20 | 1.30 | |
| D | 1.000 | --- | 25.40 | --- | |

Figure 1
Typical Forward Characteristics



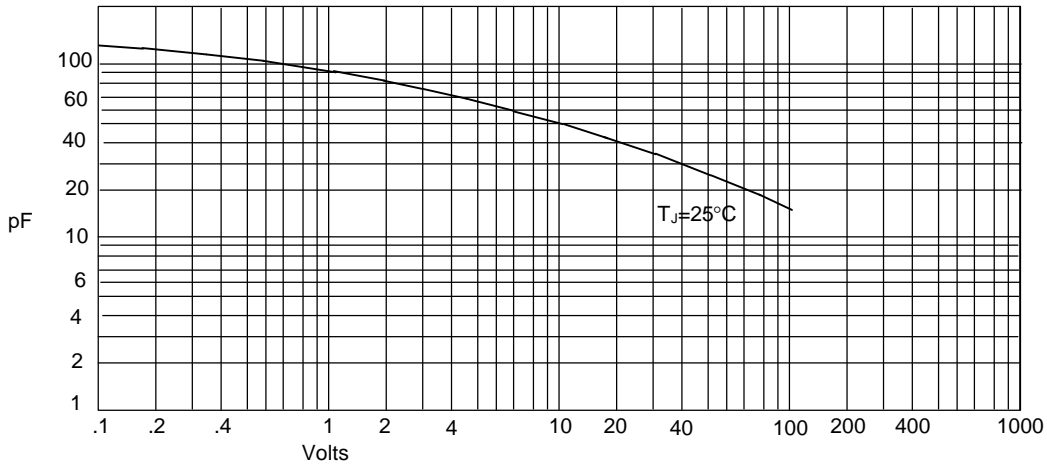
Instantaneous Forward Current - Amperes *versus*
Instantaneous Forward Voltage - Volts

Figure 2
Forward Derating Curve

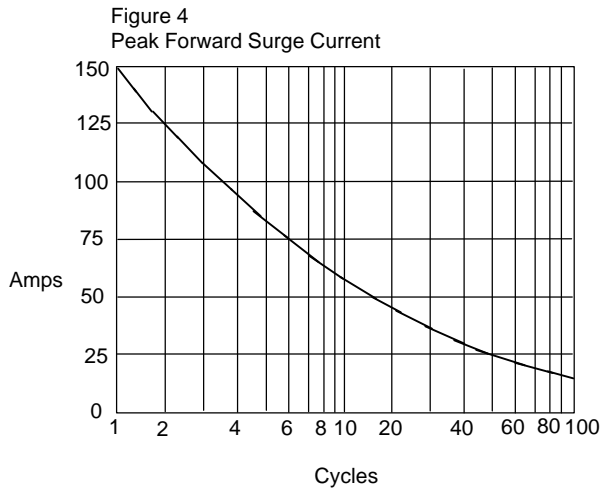


Average Forward Rectified Current - Amperes *versus*
Ambient Temperature - °C

Figure 3
Junction Capacitance

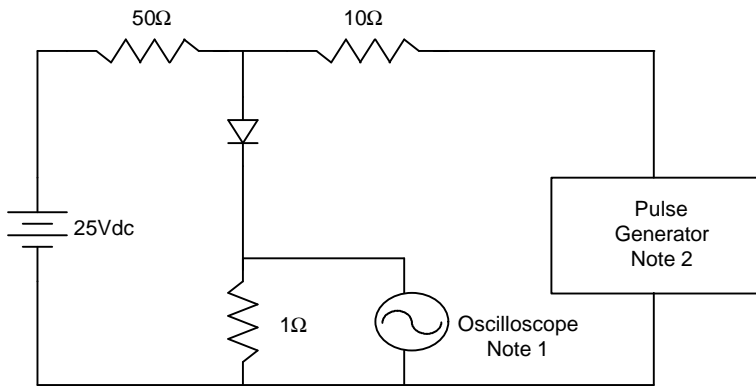


Junction Capacitance - pF *versus*
Reverse Voltage - Volts



Peak Forward Surge Current - Amperes versus
Number Of Cycles At 60Hz - Cycles

Figure 5
Reverse Recovery Time Characteristic And Test Circuit Diagram



- Notes:
1. Rise Time = 7ns max.
Input impedance = 1 megohm, 22pF
 2. Rise Time = 10ns max.
Source impedance = 50 ohms
 3. Resistors are non-inductive

